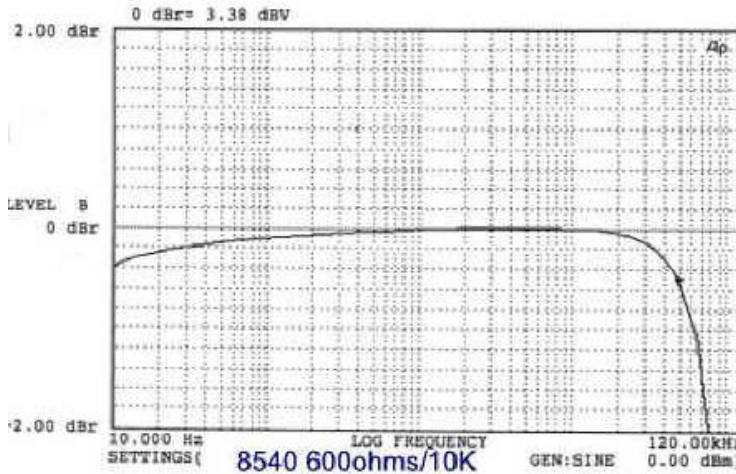


Sowter Type 8540

600/10KCT High performance Input/Output transformer

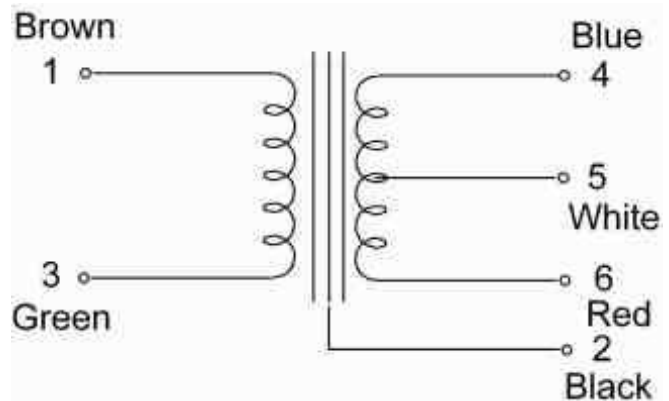
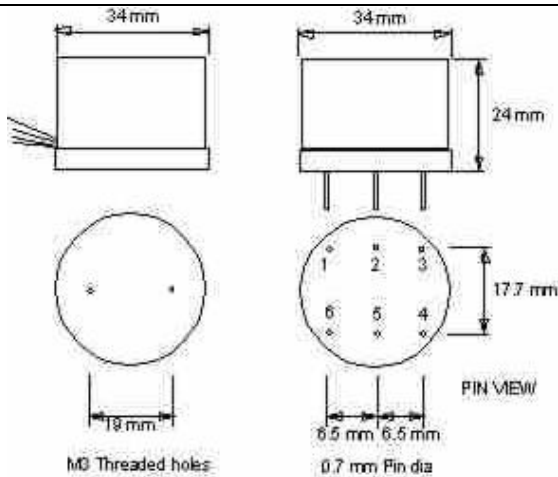
| | |
|------------------------------|------------------|
| PACKAGE OPTIONS | Part Number |
| Coloured Leads Octal base | 8540-F 8540-G |



APPLICATION For use as a line input or in reverse mode for a low power output transformer for tube or solid-state amplifier. Ideal for use with a CD player or sound card to provide a balanced isolated line output. Centre tap on secondary so the transformer can be used as a phase splitter for use in a push-pull amplifier. Available with leads or for PCB mounting

FEATURES Combination Mumetal/Radiometal core for minimal harmonic distortion and high level capability. The Mumetal part of the core also ensures excellent dynamic range and bandwidth and transient response. Internal electrostatic shield and bifilar wound primary for high common mode noise rejection. Mumetal can for magnetic shielding. Available on request with primary centre tap instead of primary for phase splitting etc. The secondary may be loaded with 50k0 ohms, which ensures a high input impedance of about 3k0 ohms.

| | |
|---|---------------------------------|
| RATIO | 1:4CT |
| MAXIMUM LEVEL 0.5 % THD at 50 Hz (40 ohm source) | Input +17 dBu Output +29 dBu |
| DISTORTION at 50 Hz (Source 40 ohms) | 0.05% at 12 dBu input |
| INSERTION LOSS 10k ohm source 10k ohm load | 1.85 dBu |
| FREQUENCY RESPONSE 6k4 ohm source 10k ohm load | +/- 0.25 dB 15 Hz to 50 kHz |



E A Sowter Ltd
PO Box36 IPSWICH
IP1 2EL England



Tel:+44(0)1473 252794
Fax:+44(0)1473 236188