

Sowter Type 3603

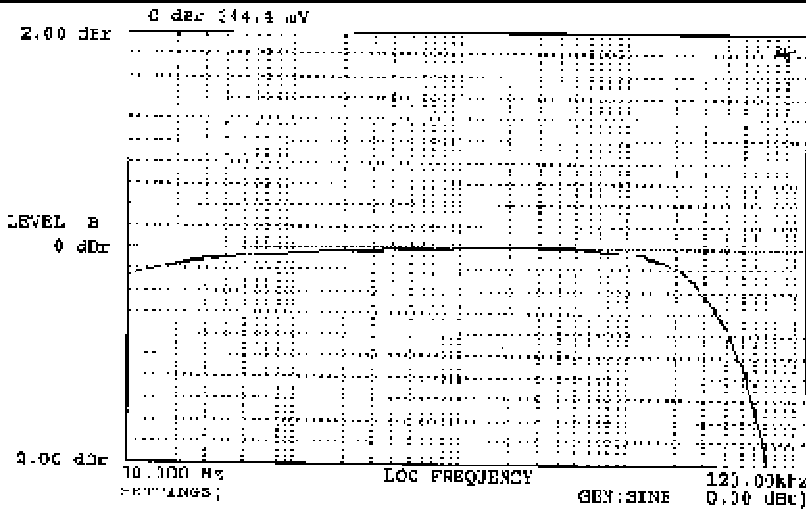
600/600 Ohm High Performance Input/Output Isolator/Balancer

PACKAGE OPTIONS

Part Number

Coloured Leads
Octal base

3603-F
3603-G



3603 Typical frequency response with 600 ohm source and 600 ohm load



APPLICATION Electrical isolation where source or load are low impedance (up to 2000 ohms). May be used for balanced to unbalanced conversion and vice versa. Suitable for use with a sound card or CD player. For reduction of most kinds of noise caused when equipments are connected. For helping to ensure Electromagnetic Compatibility (EMC) standards compliance.

FEATURES Mumetal core for minimal harmonic distortion. Internal electrostatic shield for high common mode noise rejection. Mumetal can for magnetic shielding. Secondary centre tapped for phase splitting etc. May be used in reverse to provide phantom powering via the centre tap.

RATIO

1:1CT

MAXIMUM LEVEL 0.5 % THD at 50 Hz (40 ohm source)

+17 dBu

DISTORTION at 50 Hz (Source 40 ohms)

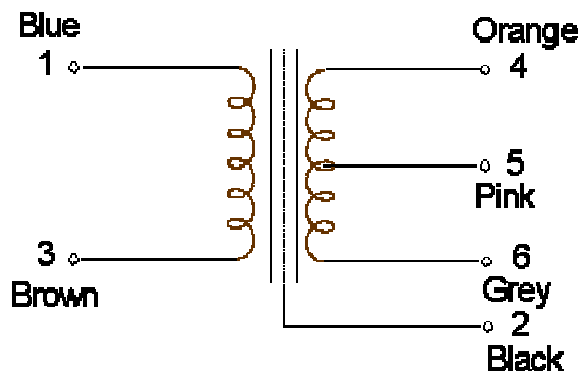
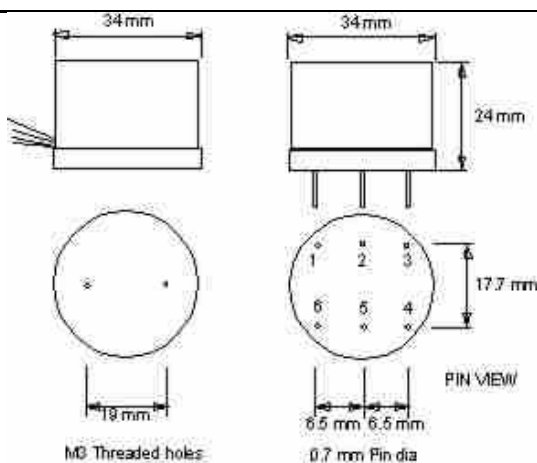
0.05% at +11 dBu

INSERTION LOSS 10k ohm source 10k ohm load

1.85 dBu

FREQUENCY RESPONSE 6k4 ohm source 10k ohm load

+/- 0.25 dB 10 Hz to 40 kHz



Connections

E A Sowter Ltd
PO Box36 IPSWICH
IP1 2EL England



Tel:+44(0)1473 252794
Fax:+44(0)1473 236188