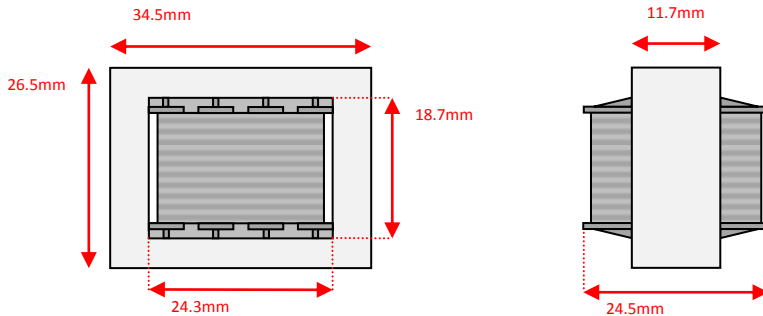
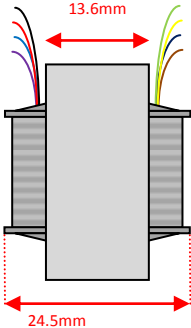
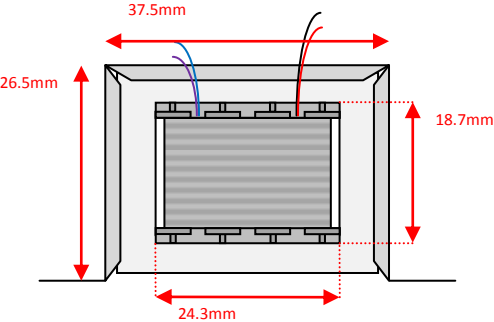


Sowter Transformers – Product Dimensions *(to 1dp)*

Pro Audio – Size: **F** Style: **Barebones**

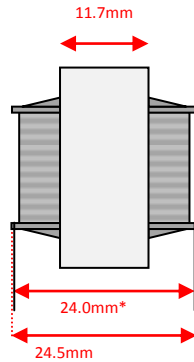
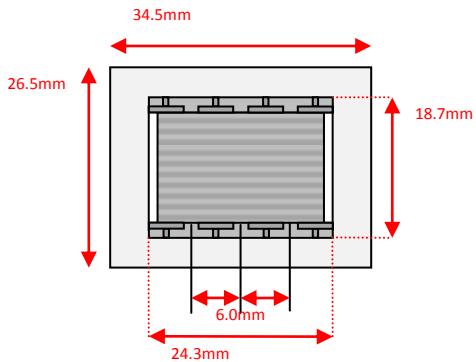


Size: F Style: a



Leads: 150mm min length

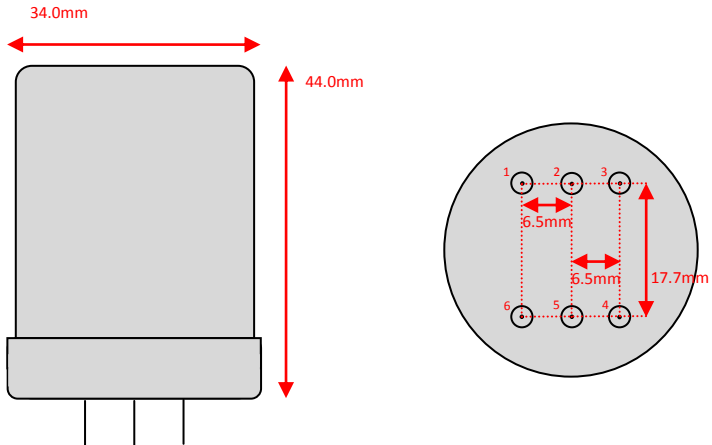
Size: **F** Style: **b**



Pins: $\varnothing=1.2\text{mm}$, 6.0mm min length

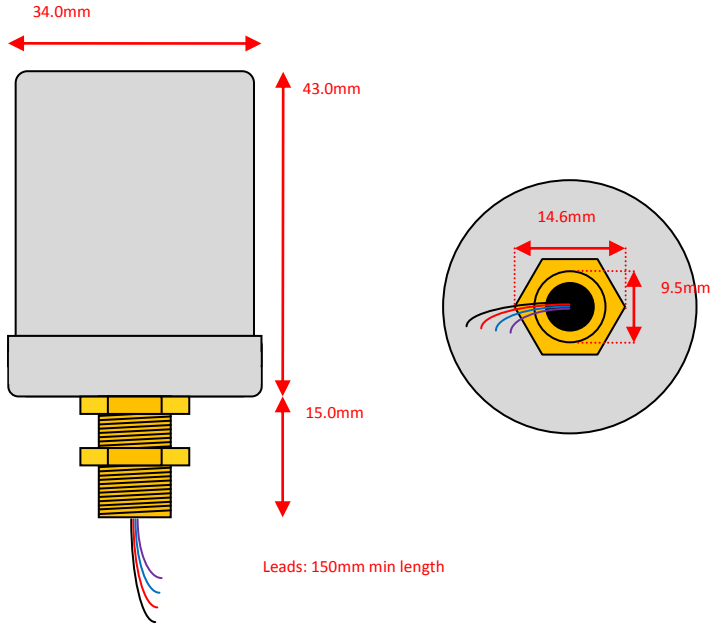
* Please Note: Pins are wire spills fixed to the outside of the coil – actual distance between rows will vary with thickness of coil.

Size: **F** Style: **c**

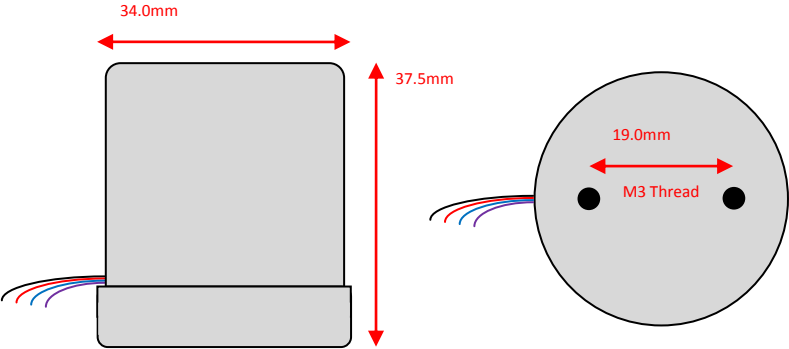


Pins: $\varnothing=0.7\text{mm}$, 6.0mm min length

Size: F Style: e

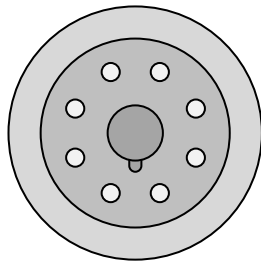
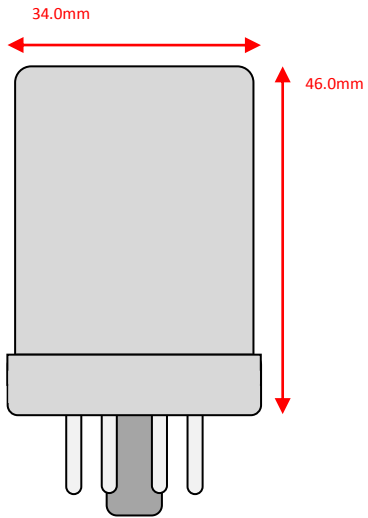


Size: F Style: f



Leads: 150mm min length

Size: **F** Style: **g**



Pins: standard Octal base