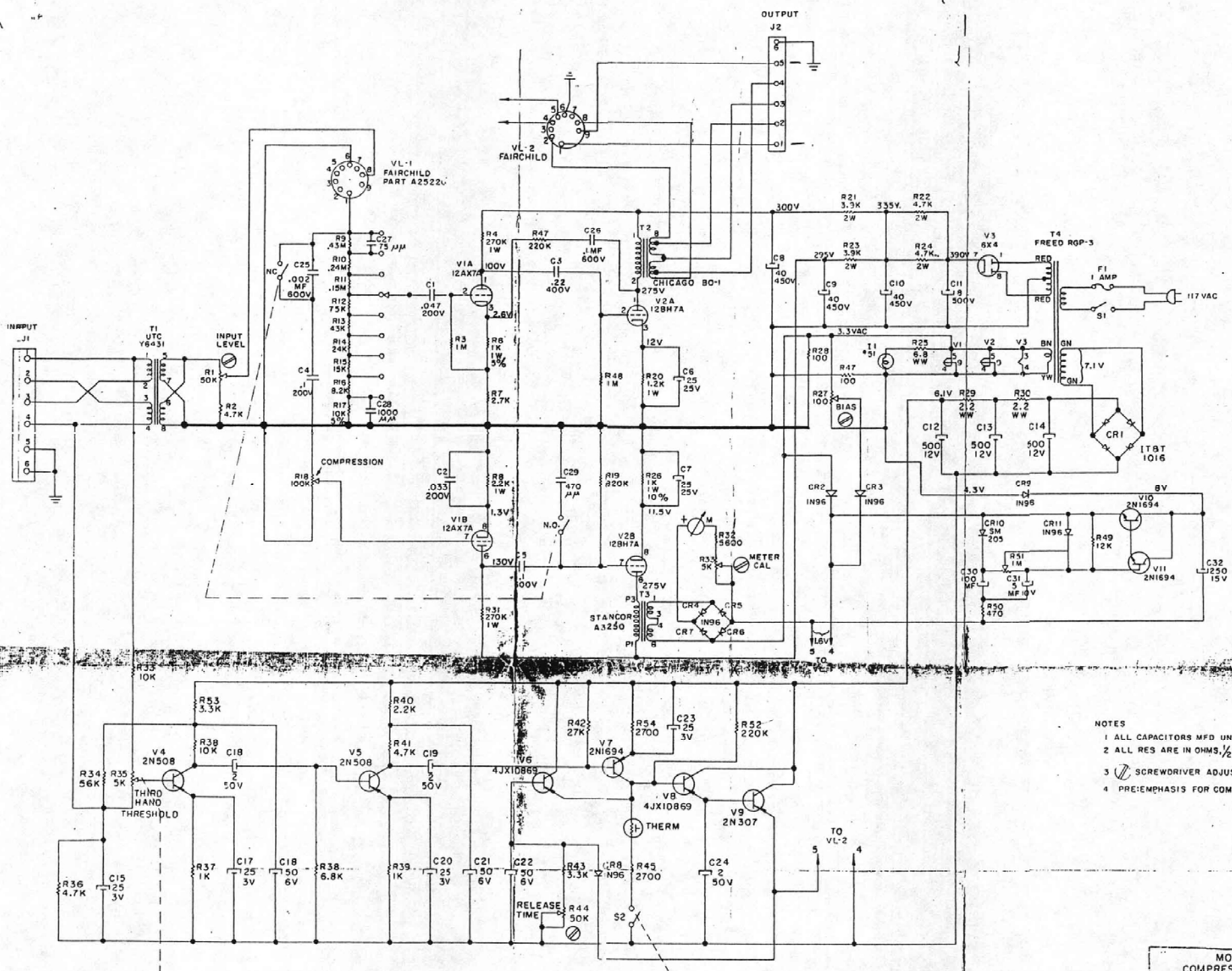


155:7 1-31-63  
 155:8 5-13-63  
 155:9 2-28-64  
 155:10 3-11-64



- NOTES
- 1 ALL CAPACITORS MFD UNLESS OTHERWISE SPECIFIED.
  - 2 ALL RES ARE IN OHMS, 1/2 WATT UNLESS OTHERWISE SPEC.
  - 3 SCREWDRIVER ADJUSTMENT.
  - 4 PRE-EMPHASIS FOR COMPRESSION.

MODEL 666  
 COMPRESSOR AMPLIFIER