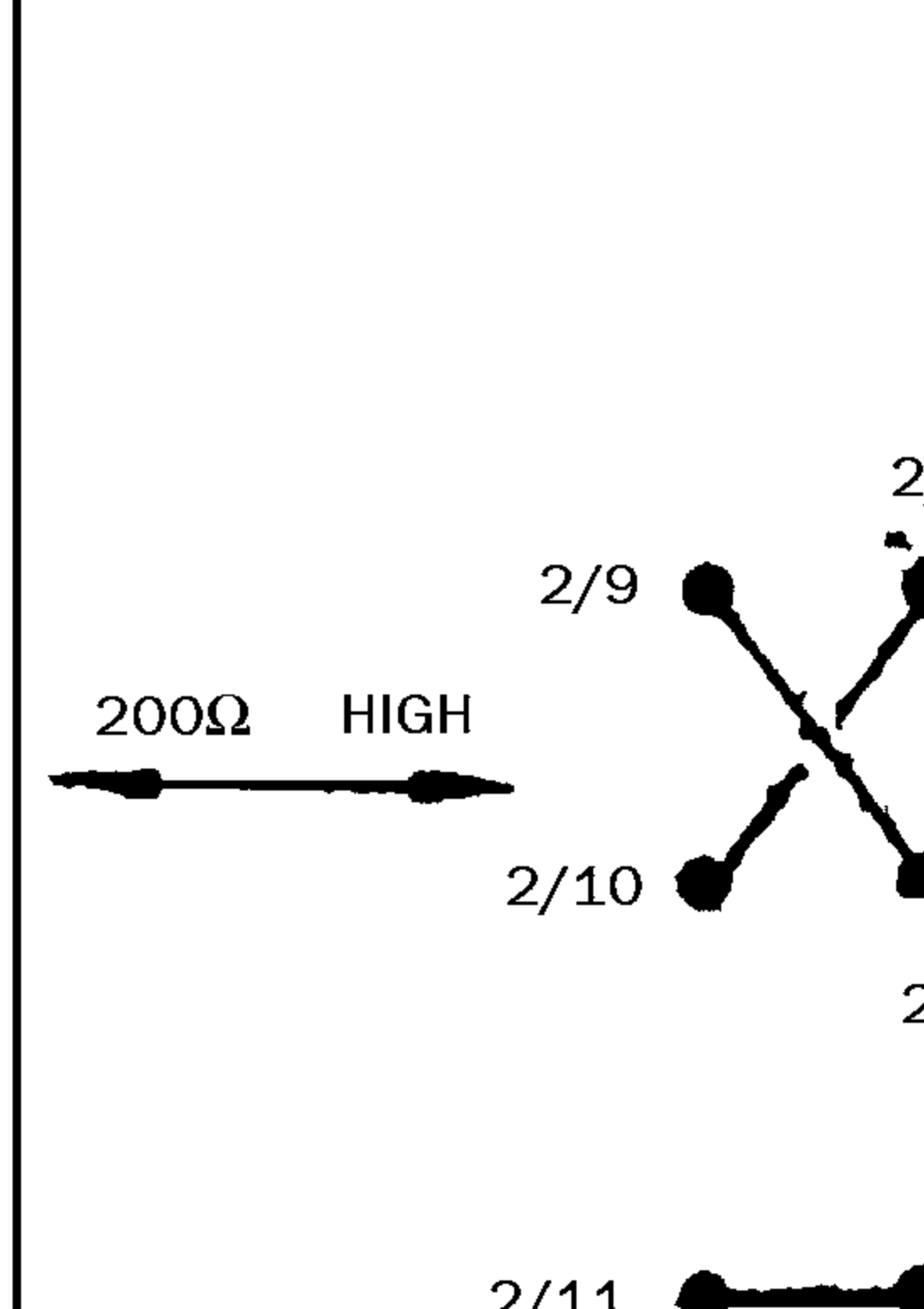


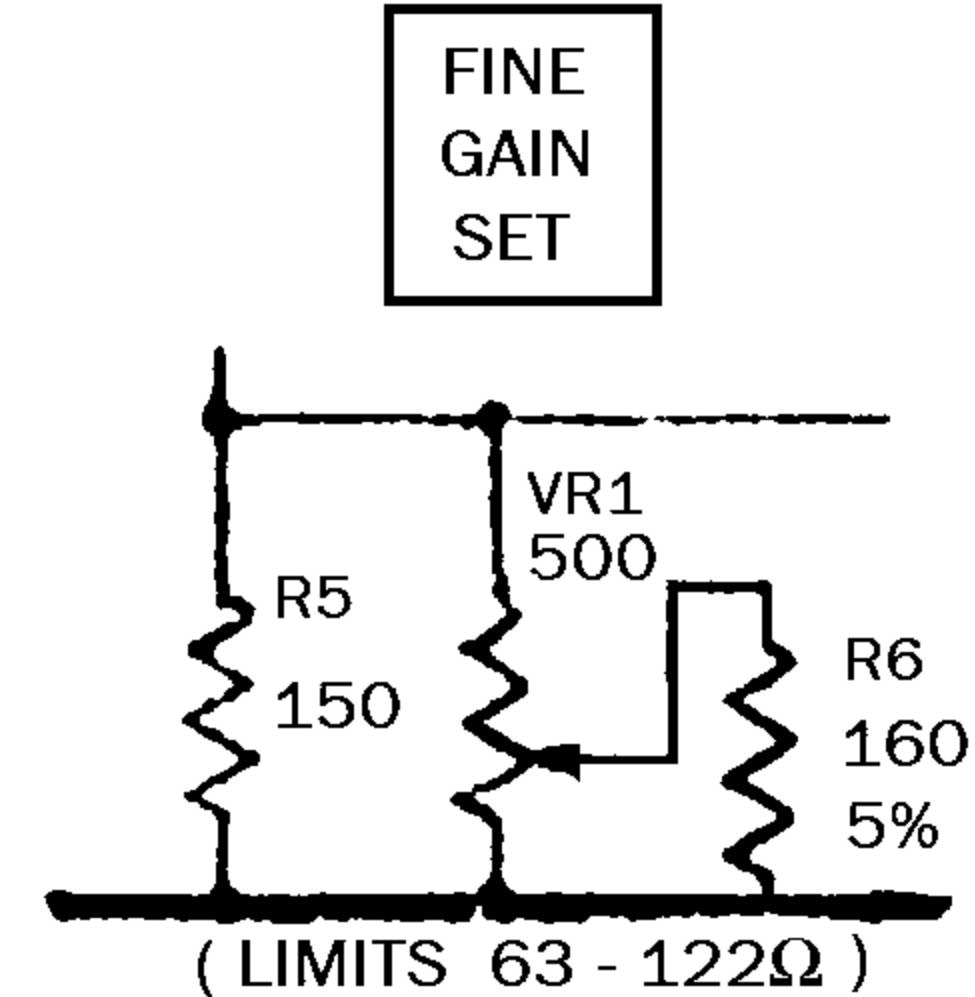
PRI.	L	C
18	H	1.8 $\mu$ F
45	H	0.75 $\mu$ F

ADJUST ON TEST



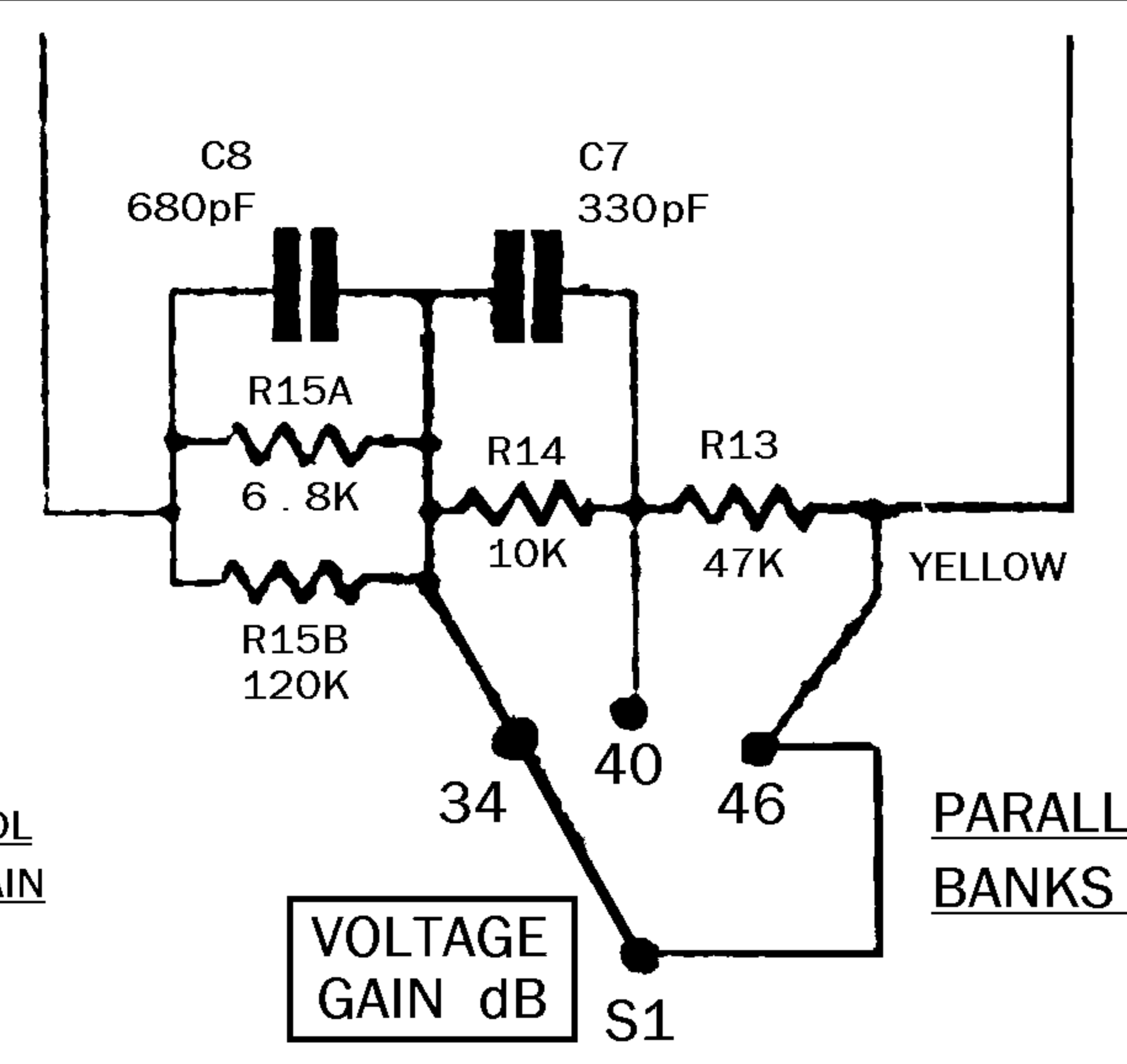
TO REMOVE RUMBLE FILTER  
DISCONNECT 2 - 4 AND  
CONNECT 3 - 4

(LIMITS 77 - 120 $\Omega$ )



(LIMITS 63 - 122 $\Omega$ )

ALTERNATIVE CIRCUIT  
GIVING SMOOTHER CONTROL  
AND 0.8 db INCREASED GAIN



PARALLEL  
BANKS 1 & 2

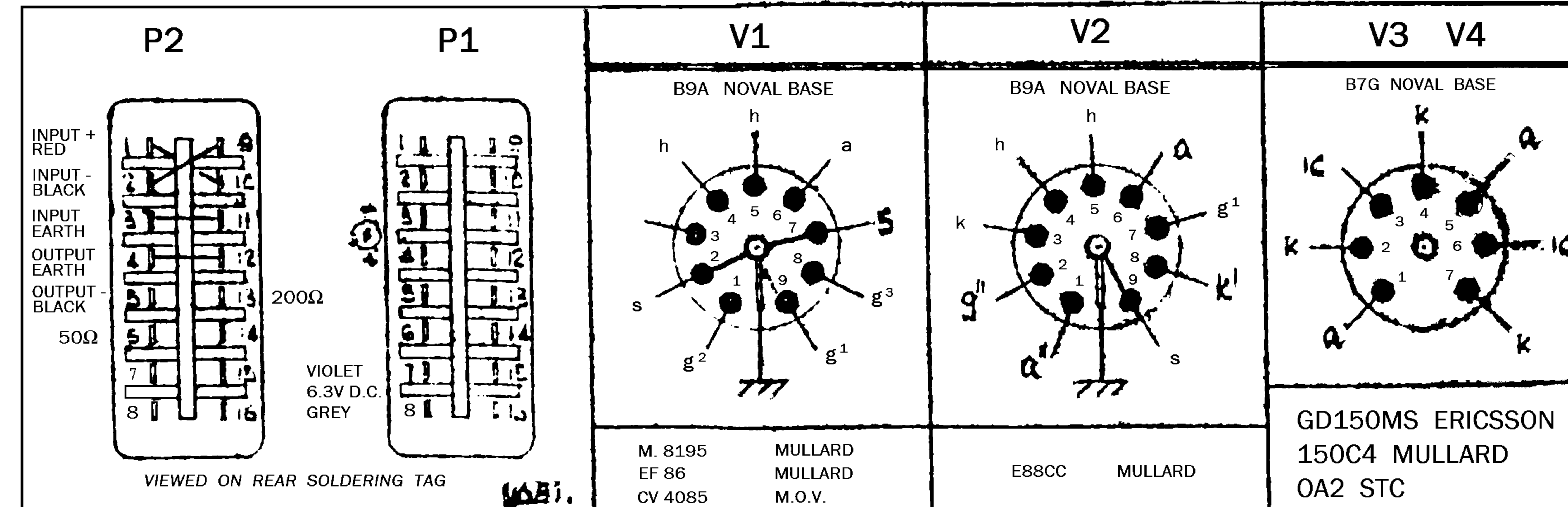
1. USE FLEXIBLE WIRE FOR ANTI - MICROPHONIC VALVE HOLDER (V1)
2. FOR COMPONENT & WIRING LAYOUT SEE DRAWING REDD. 47/B2
3. CONTROLS SHOWN ANTI - CLOCKWISE
4. R6 MAY BE REDUCED FROM 240  $\Omega$  TO 200  $\Omega$  OR 160  $\Omega$  (OR TO INCREASE GAIN BY 0.8 dB ~~REDD. 47/B2~~) (R5 VR1 R6 ~~100~~ THEN ~~240~~)
5. FOR H.T. > 410 V REMOVE LINK ACROSS R21 (OR R19 IN ALTERNATIVE CIRCUIT) ~~REDD. 47/B2~~
6. **WARNING** - SWITCH OFF MAINS BEFORE REMOVING OR INSERTING AMPLIFIER WHEN ALTERNATIVE SMOOTHING CIRCUIT SHOWN AT TOP IS BEING USED
- \* 7. ADJUST C13 ON TEST EARLY MODELS HAD REDD. A62 TRANSFORMER AND C13 = 330 pF (REDD. 47/B2)

RATINGS GIVEN BELOW ARE MINIMUM PERMISSIBLE

REF	TYPE	REF	TYPE
R 1	1/8 W. 2% H.S.	R 13	1/8 W. 1% H.S.
R 2	2 W. 2% H.S.	R 14	1/8 W. 1% H.S.
R 3	1/8 W. 2% H.S.	R 15 A	1/8 W. 1% H.S.
R 4	1/8 W. 2% H.S.	R 15 B	1/8 W. 5% C
R 5	1/8 W. 2% H.S.	R 16	1/4 W. 2% H.S.
R 6	1/8 W. 2% H.S.	R 17	1/4 W. 20% C
R 7	1/4 W. 5% H.S.	R 18 TO 21	1 1/2 W. 5% W.W. WELWYN
R 8	1/8 W. 2% H.S.	R 22	1/2 W. 20% C
R 9	1/8 W. 2% H.S.	R 23	1/8 W. 2% H.S.
R 10	1/8 W. 2% H.S.	R 24	1/8 W. 2% H.S.
R 11	5 W. 5% W.W.	VR 1	MORGANITE BUNAR 50250
R 12	1/8 W. 2% H.S.		

REF	TYPE
C 1	- 20% 450 V PICOPACK
C 2	- 20% 6 V PLESSEY
C 3	20% 500 V WIMA
C 4	20% 500 V METALMITE PIO
C 5	20% 350 V
C 6	- 20% 6 V PLESSEY
C 7, 8	2% 450 V S.M.
C 9, 10, 11	- 20% 450 V PICOPACK
C 12	- 20% 450 V + 50%
A - B - C	PLESSEY CE830
C 13	A.O.T. 2% S.M.
C 14	A.O.T. 5% S.M. SALFORD ELECTRICAL

REF	TYPE
S.1	ARDENTE 2 BANK, 1 POLE, 3 WAY S.1/40 / 2B
P 1, 2	McMURDO RP 16
F 1	K.E. BESWICK ANTI - SURGE 134
V1	McMurdo Anti-Vibration Phenolic Insulation
V2	McMurdo Z560131 Phenolic Insulation
V3, V4	McMurdo Phenolic Insulation
R 27	1/10 W. 20% C
R 25, 26	1/10 W. 20% C



FINISH	TITLE	LINE AMPLIFIER, CASSETTE TYPE		E.M.I. INTERNATIONAL HAYES, MIDDLESEX	
MATERIAL		THIRD ANGLE PROJECTION.		DRAWING No.	
DR'N	A.J.B.	DATE	1.10.59	C'K'D	SCALE
LIMITS: DECIMAL DIMENSIONS - .005"		FRACTIONAL DIMENSIONS up to 2" $\pm$ .002"		Special thanks	