

Sowter Type 9570

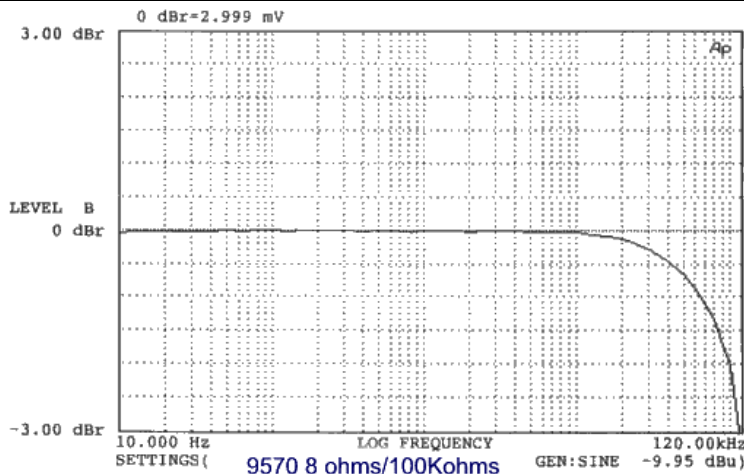
High performance Phono Cartridge Transformer

PACKAGE OPTIONS

Part Number

Coloured Leads
Octal base

9570-F
9570-G



APPLICATION For matching a range of moving coil Phono cartridges to balanced or single sided solid state or valve pre-amplifier. Suitable for cartridges with a self impedance in the range 3 to 100 ohms. Ensures appropriate loading of the cartridge and correct matching to pre-amplifier. When used with a 100K ohm secondary load the cartridge will see a loading of 1000 ohms. Lower secondary loads may be used if some damping is required. Ideal for use with high or medium output cartridges provided the output voltage and pre-amplifier gain is adequate for a 1:10 ratio. **Two transformers are required for a stereo system.**

FEATURES Mumetal (76%Nickel) laminated core for minimal harmonic distortion and exceptional bandwidth. 4 separate electrostatic screens for rejection of hum and noise in the cable connecting between the cartridge and transformer. Multiple interleaved windings ensuring exceptionally good bandwidth. The high bandwidth and very low phase shift ensures excellent transient response. Mumetal can for magnetic shielding. Available with colour coded leads or international octal plug for a small extra charge.

RATIO

1 :10

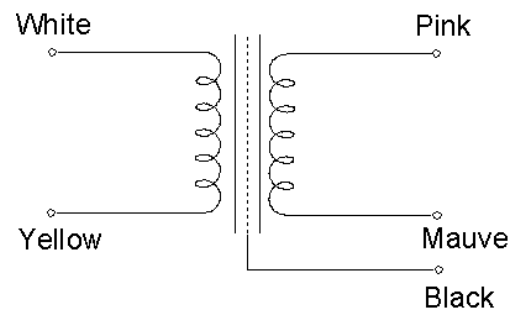
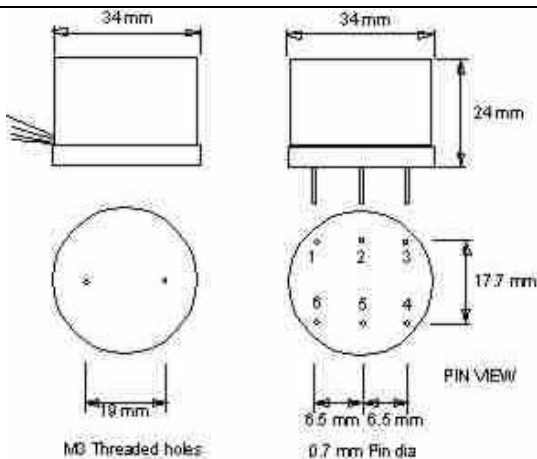
TOTAL HARMONIC DISTORTION (THD) at 20 Hz (6 ohm source) Typical

0.05%

FREQUENCY RESPONSE 8 Ohm source 100K ohm load

+/- 0.5 dB 5 Hz to 60 kHz

NOTE The cartridge should be connected to the White and Yellow leads. The amplifier should be connected to the Pink and Mauve leads. The Black (ground) lead is normally connected to the signal ground of the amplifier. You may need to experiment with different ground connection points to minimize hum.



E A Sowter Ltd
PO Box36 IPSWICH
IP1 2EL England



Tel:+44(0)1473 252794
Fax:+44(0)1473 236188